



# euphony Multiplexer Network Communication Platform IP PBX ECS-320 Series



ECS-320 series is a full function PBX system with extra built-in features like IVR, auto-attendant, voicemail, VoIP, and various network services. It provides a solid, uniform platform for both voice communications as well as network communications. Built on state-of-the-art embedded technology, ECS-320 offers a seamlessly integrated solution for the telecommunication needs of modern times. Its versatile and expandable design makes ECS-320 an ideal choice for companies of small to medium sizes. For network functions, ECS-320 provides router service, IP sharing (NAT), firewall, DHCP server, QoS service and VPN.

euphony

TEL:886-2-8913-1323

E-mail:sales@mail.euphony.com.tw

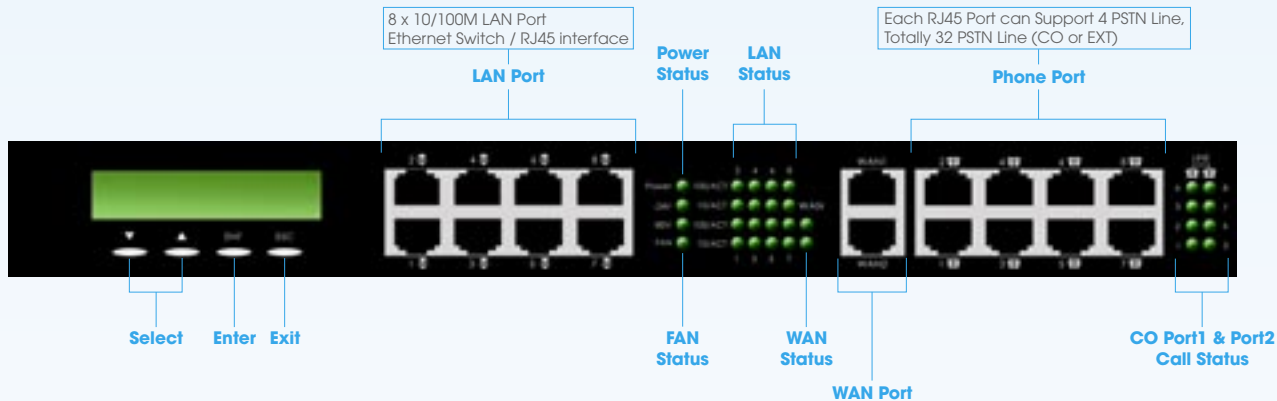
http://www.euphony.com.tw

The Pioneer Integrates Communication Platform for Telecom and Datacom Converged Application.

# ECS-320 Series Features Description

- SOFT PBX
- DSP monitor ring back to prevent CO lines abnormal engaged.
- Provided 4CO lines and 12 EXT lines, maximum to 32 ports.
- Extension line expanded by using IP Phone or Soft Phone (max. 64 IP ext).
- Provided 4/8/16 channels VoIP services.
- Built in IVR capability.
- Authority for off-net call
- Consistency of analog and IP extension dialing plan, PBX function.

- QoS service guarantee VoIP voice quality
- Web management interface, easy to setting.
- Soft switch functionality is same as Circuit switch (Traditional PBX)
- Built in Call Log, Voice recording (Full time and Partial time)
- Personal Voice mail and voice mail forward to E-mail.
- Support Gatekeeper
- Sufficient Network services: DHCP server, VPN, Firewall, Virtual DMZ, IP Sharing (NAT), Address Mapping, Port Mapping.
- Provided 3-way conference calls



## Euphony ECS-320 Standard V 1.00 Specification

PBX System	
PBX Function Description	Embedded Linux OS, digital PBX system, TDM/PCM. <ul style="list-style-type: none"> <li>• Built in full function PBX system</li> <li>• Hybrid IP PBX mechanism, support both analog and IP ports</li> <li>• Personal voice mail; call consult; call transfer; call forward; call pickup; conference.</li> <li>• Web management setup at internet or intranet.</li> </ul>
Soft Switch System	
H.323 V2/SIP Protocol.	
Support Peer-to-Peer & Gatekeeper for VoIP incoming and outgoing call.	
Support H.323 H.245 DTMF IP Phone and Soft Phone.	
Consistency PBX function of IP extension and Analog extension/Upgradeable to 64 IP extensions.	
Support VoIP call transfer to VoIP call.	
Telephone Interface	
EXT line interface (Analog and IP)	Analog Extension 32 ports (analog phone and fax machine) * IP Extension 4 ~ max 64 Ports (IP Phone / Soft Phone) <ul style="list-style-type: none"> <li>• Press "9" to hunt PSTN line, "0" for cost saving VoIP routing or voice mail.</li> <li>• Password setting/Extension number setting/Speed dial setting</li> <li>• PSTN direct to EXT phone/EXT phone direct to PSTN/EXT to PSTN authority setting</li> <li>• 3-way conference call/Time of call warning/Extension line recording</li> <li>• Extension voice mail (retrieve from telephone/mail to dedicate E-mail box to retrieve)</li> <li>• According to IP extension MAC, IP extension number can be distributed by DHCP server.</li> <li>• 32 ports mean CO line + EXT line = 32 ports</li> </ul>
CO line interface (Analog)	Analog Ports: 32 ports, connected to PSTN <ul style="list-style-type: none"> <li>• Answering mode: Outgoing only, Incoming only, both incoming and outgoing, voice mail, direct to extension phone.</li> <li>• Power down fail safety calling mechanism.</li> <li>• VoIP On-net and Off-net call, maximum 199 groups password setting</li> <li>• Caller ID detection (DTMF before Ring, DTMF after Ring)</li> <li>• 32 ports mean CO line + EXT line = 32 ports</li> </ul>
Extension connecting interface	RJ45 connector for 4 ports (FX0/FXS), IP extension connected to LAN ports
VoIP Interface	
VoIP Channels	4/8/16 VoIP channels Chips
Silence Compression	Generate comfortable sound while
Gain Control	In/Out +3/-6db
CODEC	G.723.1/G.729a
Echo Cancellation/Jitter Buffer	G.165/G.168 25ms

Network Service	
Support three types internet connection: <ul style="list-style-type: none"> <li>• Fixed IP allocation/PPPoE allocation/DHCP client allocation.</li> </ul>	
Built in NAT (Network Address Translation)	
Support Port Mapping; Multi Address Mapping; Multi Virtual DMZ (Transparent mode).	
Built in IP Share; DHCP server.	
Built QoS service (Quality assurance of VoIP call)	
Support DDNS client	
Built in Firewall (rule accept mode; rule drop mode; user defined rule).	
20 clients Gatekeeper Server (Option)*	
Built VPN router, support 4 ECS mode VPN tunnels for voice and data connection.	
E-mail Server	
Network Interface	
Interface	10BASE-T/100BASE-T Auto-negotiation, Auto MDIX
LAN	4 10/100 Mbps RJ-45 LAN ports (UTP)
WAN	1 10/100 Mbps RJ-45 WAN port (UTP)
Panel LED Indicator	
LAN indicator	16 Green LED indicators (100/10 ACT and connecting status)
WAN indicator	2 Green LED indicators (100/10 ACT and connecting status)
Power indicator	1 Green LED indicator (power status)
Voltage indicator	2 Green LED indicators (-24V and -80V voltage status)
CO line indicator	2 Green LED indicators (CO ports working status)
FAN indicator	1 Red LED indicator (FAN fail status)
LCD Display	Show CO, EXT and VoIP modules status
Management Interface	
Managing Tool	<ul style="list-style-type: none"> <li>• Web UI provided full function PBX setting, IP network setting, Off-net call setting and network status.</li> <li>• Firmware Upgrade and Backup.</li> <li>• Dual mode managing structure for user and administrator.</li> <li>• NTP server to setup Time Zone.</li> <li>• Use telephone to reset PBX/Network/Extension/Greeting setting.</li> </ul>
Hardware Specification	
CPU	PowerPC 200MHz, 128MB SDRAM, 512KB ROM, 32MB Flash ROM
Power Supply	Input 100-240 Vac 50/60Hz
Power Consumption	MAX. 65watt
Dimensions (mm)	340mm X 44mm X 260mm (L X H X W)
Weights (Kg)	1.92Kg

